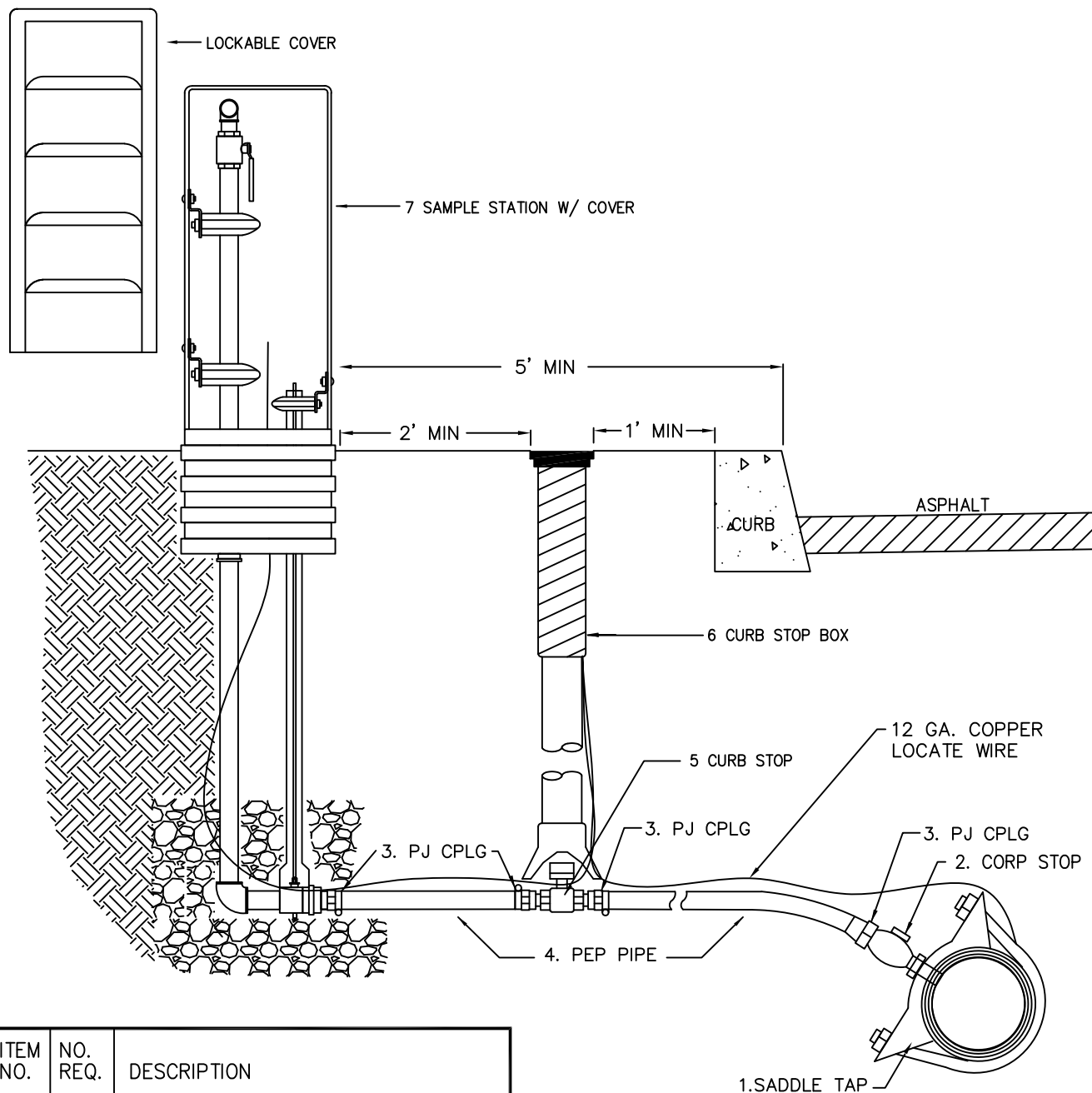


APPROVED SAMPLE STATION INSTALLATION



ITEM NO.	NO. REQ.	DESCRIPTION
1	1	ROMAC DOUBLE STRAP TAPPING SADDLE
2	1	1" BRONZE CORPORATION STOP
3	4	1" PACK JOINT AS REQUIRED
4	2	1" IPS POLYETHELENE PIPE
5	1	1" CURB STOP
6	1	APPROVED CURB STOP BOX
7	1	MUELLER SAMPLE STATION OR EQUAL
8	1	WASHED DRAIN ROCK AS NEEDED

UNLESS OTHERWISE SPECIFIED, THESE APPURTENANCES SHALL BE OF THE MATERIAL SPECIFIED OR SHOWN ON THE PLANS AND SHALL MEET PRESSURE REQUIREMENTS EQUAL TO OR EXCEEDING THE MAIN INSTALLATION AND SHALL BE NSF-61 CERTIFIED.



CITY OF COEUR D'ALENE STANDARD DRAWING

1" SAMPLE STATION ASSEMBLY

APPROVED BY:

Chris Bosley
CITY ENGINEER, PE 10804

10/1/24
DATE:

DWG NO.

W-49